



IPL, 362M 18, 2010-02

362M18

Spare parts

Ersatzteile

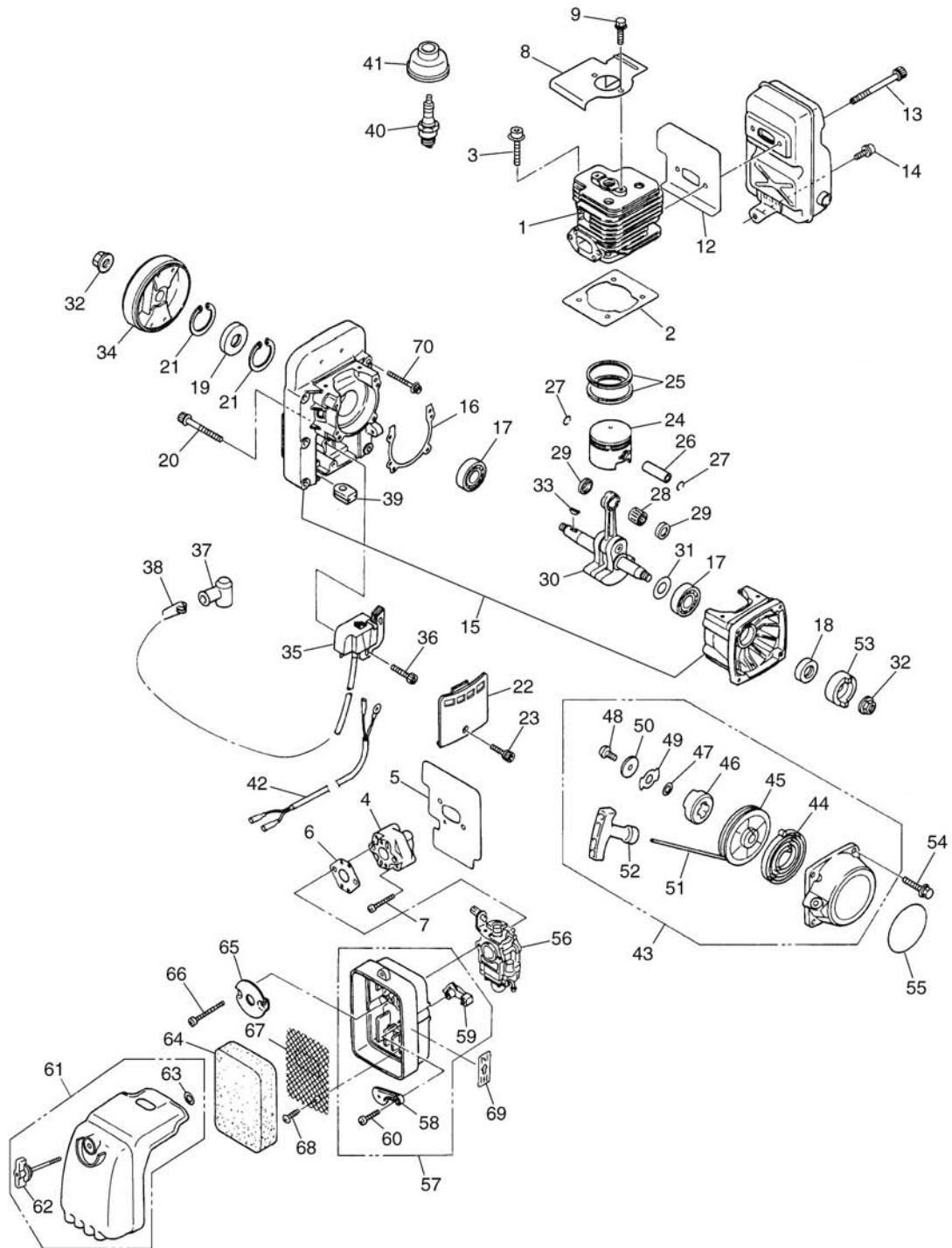
Pièces détachées

Reserve onderdelen

Repuestos

Reservdelar

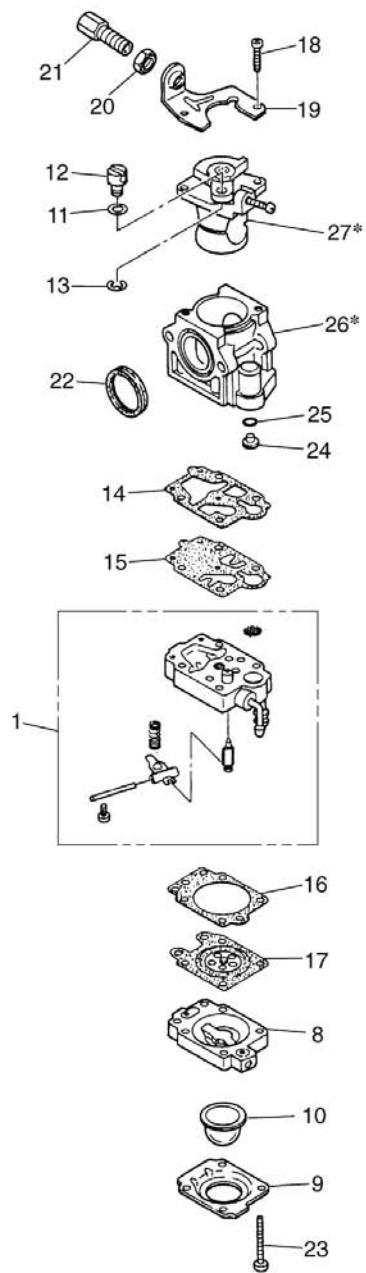
A 362M18
ENGINE GROUP



| Page A | | 362M18 | ENGINE GROUP | |
|----------|--------------|----------|--------------|-----|
| Position | Article | Quantity | Notes | Kit |
| 1 | 516 86 45-01 | 1 | | |
| 2 | 516 86 51-01 | 1 | | |
| 3 | 516 53 74-01 | 4 | | |
| 4 | 516 34 61-01 | 1 | | |
| 5 | 516 86 58-01 | 1 | | |
| 6 | 516 33 83-01 | 1 | | |
| 7 | 516 34 62-01 | 2 | | |
| 8 | 516 86 53-01 | 1 | | |
| 9 | 516 86 54-01 | 2 | | |
| 10 | 521 67 27-01 | 1 | | |
| 12 | 516 86 66-01 | 1 | | |
| 13 | 516 86 61-01 | 2 | | |
| 14 | 516 86 64-01 | 1 | | |
| 15 | 521 63 37-01 | 1 | | |
| 16 | 516 86 77-01 | 1 | | |
| 17 | 521 52 12-01 | 2 | | |
| 18 | 521 84 01-01 | 1 | | |
| 19 | 521 52 18-01 | 1 | | |
| 20 | 516 07 11-01 | 4 | | |
| 21 | 544 25 87-01 | 2 | | |
| 22 | 516 86 84-01 | 1 | | |
| 23 | 516 37 71-01 | 1 | | |
| 24 | 516 87 59-01 | 1 | | |
| 25 | 521 09 82-01 | 2 | | |
| 26 | 521 09 83-01 | 1 | | |
| 27 | 521 05 72-01 | 2 | | |
| 28 | 516 31 34-01 | 1 | | |
| 29 | 516 74 17-01 | 2 | | |
| 30 | 521 63 39-01 | 1 | | |
| 31 | 516 28 31-01 | 1 | | |
| 32 | 516 31 39-01 | 2 | | |
| 33 | 516 14 78-01 | 1 | | |
| 34 | 516 87 70-01 | 1 | | |
| 35 | 516 87 71-01 | 1 | | |
| 36 | 521 04 81-01 | 2 | | |
| 37 | 516 61 02-01 | 1 | | |
| 38 | 516 61 03-01 | 1 | | |
| 39 | 521 26 06-01 | 1 | | |
| 40 | 521 39 77-01 | 1 | | |
| 41 | 516 89 16-01 | 1 | | |
| 42 | 516 87 83-01 | 1 | | |
| 43 | 521 84 31-01 | 1 | | |
| 44 | 516 23 11-01 | 1 | | |
| 45 | 521 84 32-01 | 1 | | |
| 46 | 521 84 33-01 | 1 | | |
| 47 | 516 54 98-01 | 1 | | |
| 48 | 502 84 38-01 | 1 | | |
| 49 | 504 55 49-01 | 1 | | |
| 50 | 502 84 37-01 | 1 | | |
| 51 | 502 84 35-01 | 1 | | |
| 52 | 502 84 32-01 | 1 | | |
| 53 | 516 34 89-01 | 1 | | |
| 54 | 521 13 28-01 | 4 | | |
| 55 | 573 94 68-01 | 1 | | |

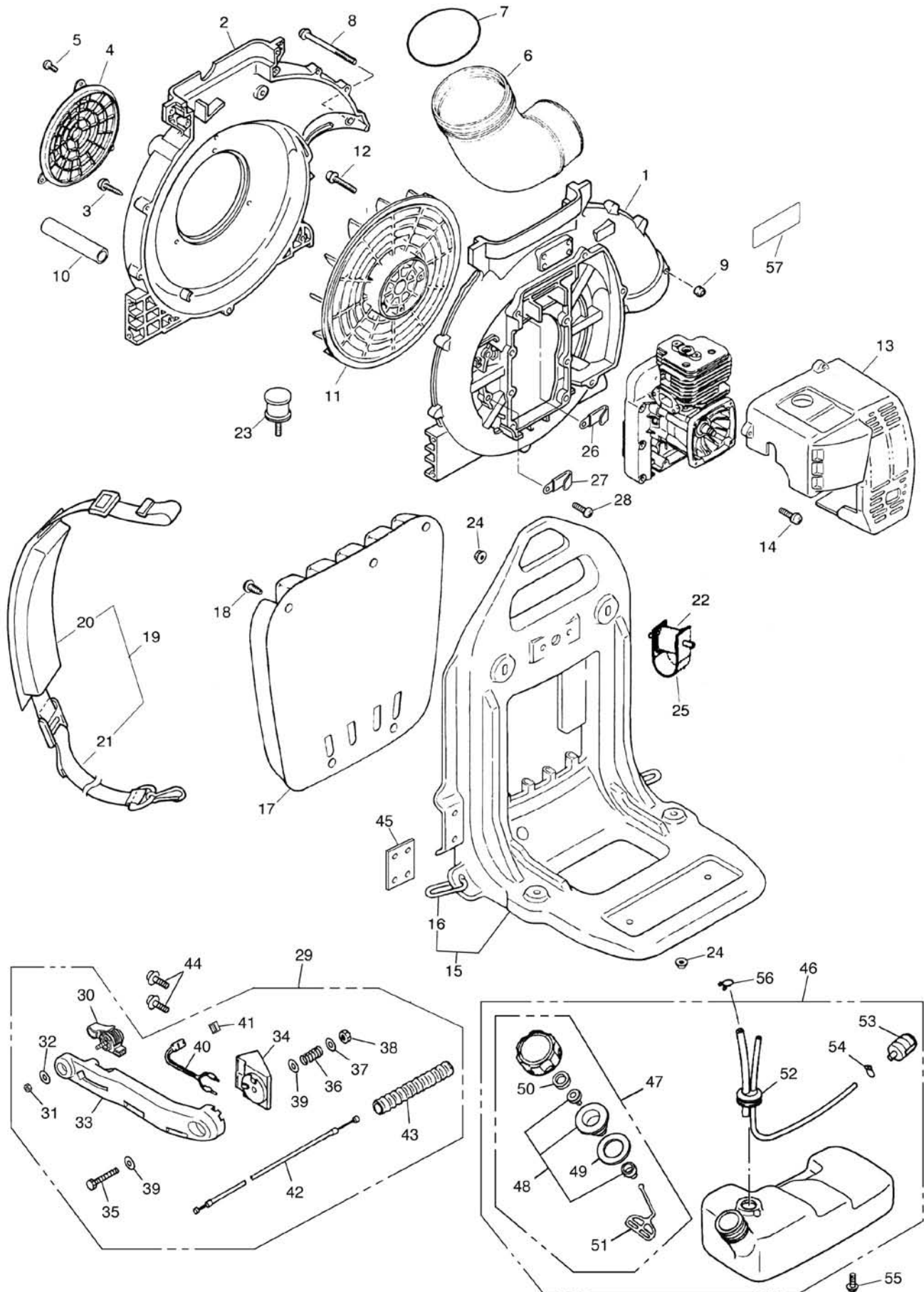
| Page A | | 362M18 | ENGINE GROUP | | |
|-----------------|----------------|-----------------|---------------------|------------|--|
| Position | Article | Quantity | Notes | Kit | |
| 56 | 516 87 92-01 | 1 | | | |
| 57 | 521 11 63-01 | 1 | | | |
| 58 | 521 11 64-01 | 1 | | | |
| 59 | 521 11 65-01 | 1 | | | |
| 60 | 505 05 23-01 | 1 | | | |
| 61 | 529 31 42-01 | 1 | | | |
| 62 | 516 35 02-01 | 1 | | | |
| 63 | 521 36 20-01 | 1 | | | |
| 64 | 516 36 13-01 | 1 | | | |
| 65 | 516 34 69-01 | 1 | | | |
| 66 | 516 11 40-01 | 2 | | | |
| 67 | 516 36 16-01 | 1 | | | |
| 68 | 544 26 35-01 | 1 | | | |
| 69 | 516 19 99-01 | 1 | | | |
| 70 | 516 86 85-01 | 6 | | | |

B 362M18
CARBURETOR



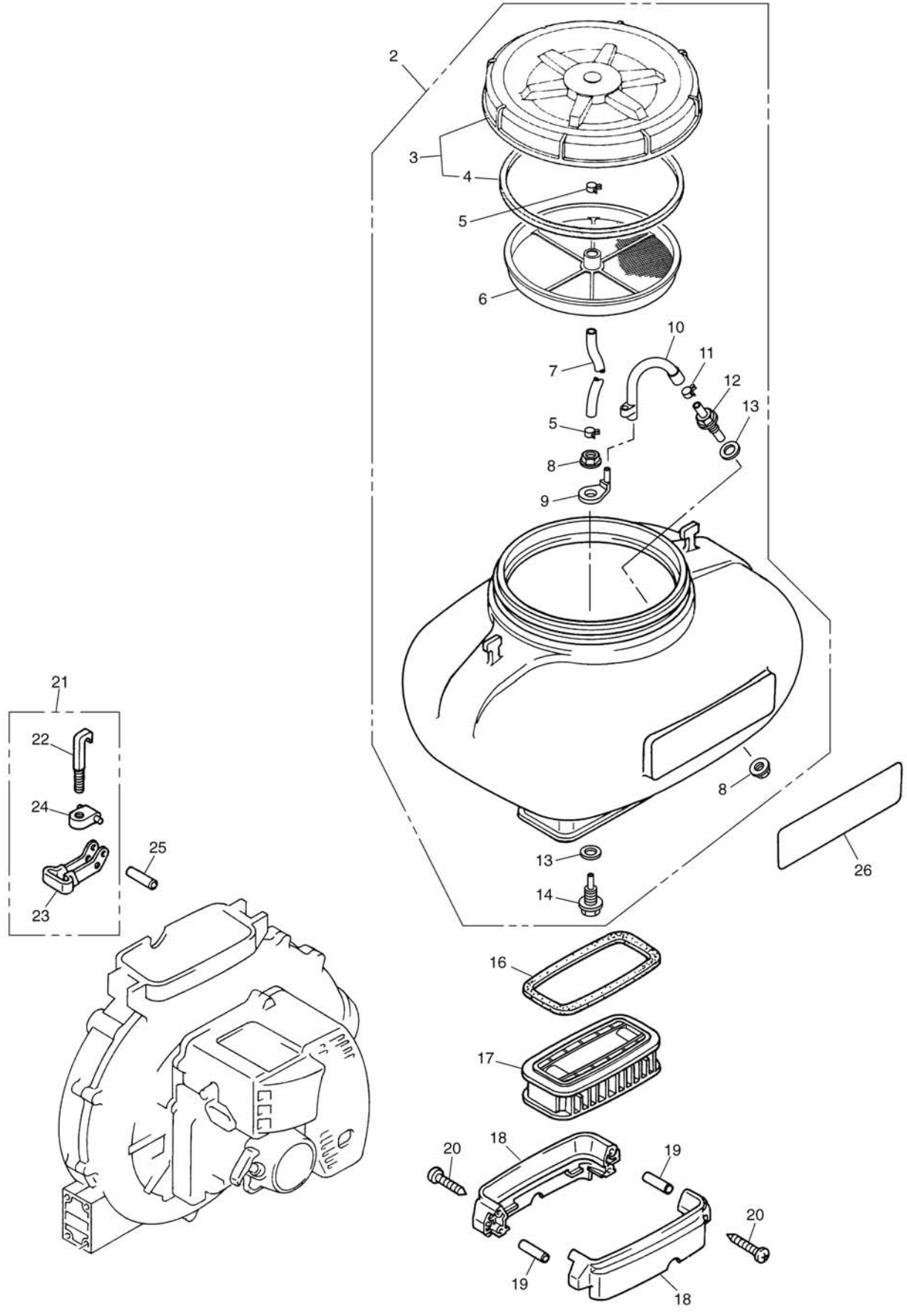
| Page B | | 362M18 | CARBURETOR | |
|-----------------|----------------|-----------------|-------------------|------------|
| Position | Article | Quantity | Notes | Kit |
| 1 | 516 54 36-01 | 1 | | |
| 8 | 516 54 38-01 | 1 | | |
| 9 | 516 54 39-01 | 1 | | |
| 10 | 516 52 58-01 | 1 | | |
| 11 | 521 36 04-01 | 1 | | |
| 12 | 516 59 77-01 | 1 | | |
| 13 | 516 52 36-01 | 1 | | |
| 14 | 516 16 06-01 | 1 | | |
| 15 | 516 16 07-01 | 1 | | |
| 16 | 516 54 37-01 | 1 | | |
| 17 | 505 05 64-01 | 1 | | |
| 18 | 506 61 28-01 | 2 | | |
| 19 | 506 61 69-01 | 1 | | |
| 20 | 516 52 41-01 | 1 | | |
| 21 | 544 36 50-01 | 1 | | |
| 22 | 516 59 76-01 | 1 | | |
| 23 | 516 54 40-01 | 4 | | |
| 24 | 516 87 94-01 | 1 | | |
| 25 | 516 52 46-01 | 1 | | |

C 362M18
BLOWER GROUP



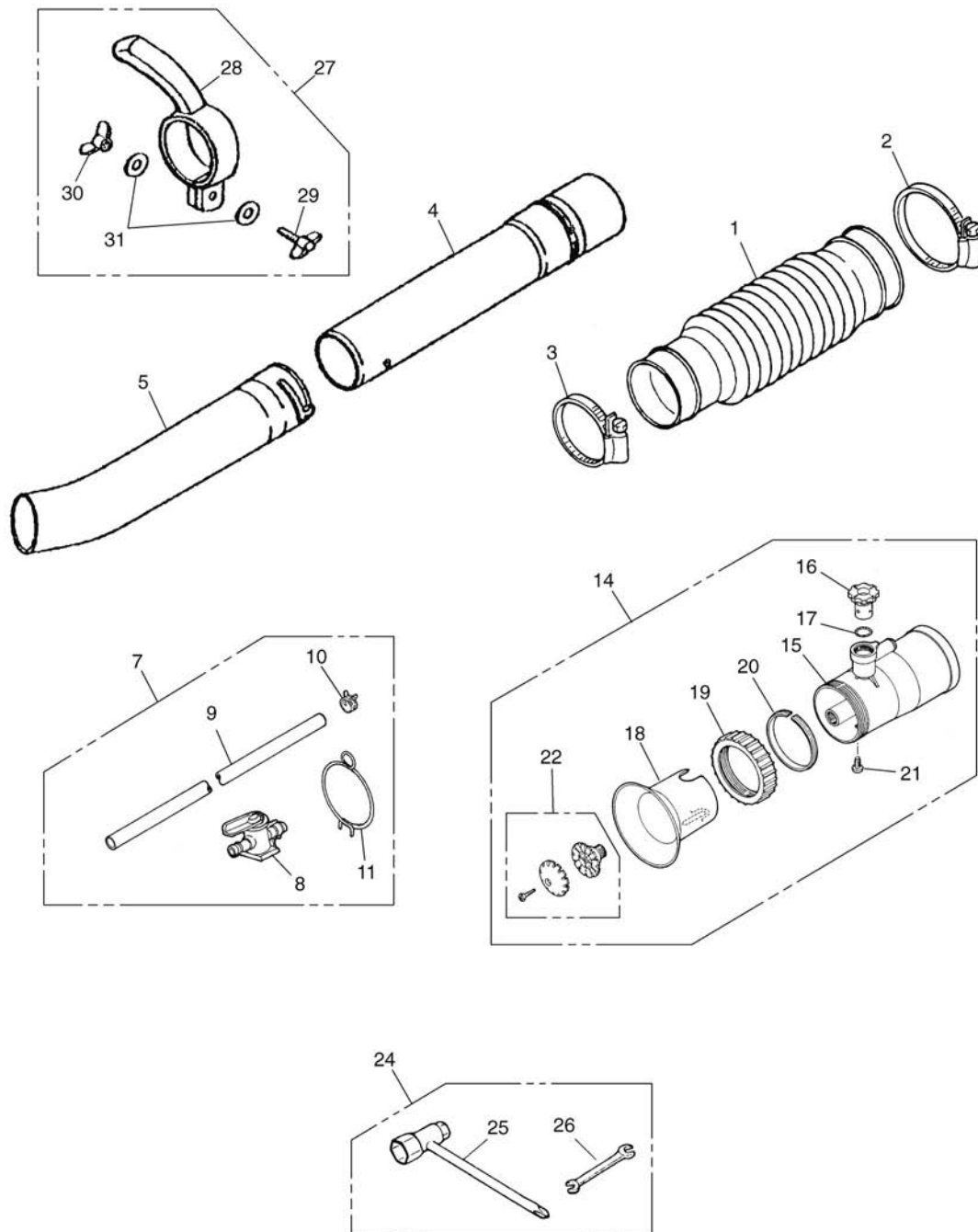
| Page C | | 362M18 | BLOWER GROUP | |
|-----------------|----------------|-----------------|---------------------|------------|
| Position | Article | Quantity | Notes | Kit |
| 1 | 574 34 40-01 | 1 | | |
| 2 | 529 28 68-01 | 1 | | |
| 3 | 516 86 90-01 | 12 | | |
| 4 | 520 81 05-01 | 1 | | |
| 5 | 521 13 83-01 | 3 | | |
| 6 | 521 14 12-01 | 1 | | |
| 7 | 516 13 54-01 | 1 | | |
| 8 | 516 87 02-01 | 2 | | |
| 9 | 520 96 86-01 | 2 | | |
| 10 | 516 86 98-01 | 1 | | |
| 11 | 516 87 09-01 | 1 | | |
| 12 | 521 11 49-01 | 4 | | |
| 13 | 573 93 16-01 | 1 | | |
| 14 | 516 86 90-01 | 4 | | |
| 15 | 573 93 18-01 | 1 | | |
| 16 | 521 14 28-01 | 2 | | |
| 17 | 573 97 20-01 | 1 | | |
| 18 | 526 47 67-01 | 4 | | |
| 19 | 516 88 42-01 | 2 | | |
| 20 | 516 88 43-01 | 1 | | |
| 21 | 511 74 33-01 | 1 | | |
| 22 | 516 88 45-01 | 2 | | |
| 23 | 516 87 57-01 | 2 | | |
| 24 | 516 87 58-01 | 4 | | |
| 25 | 511 96 73-01 | 2 | | |
| 26 | 516 87 82-01 | 1 | | |
| 27 | 521 52 51-01 | 1 | | |
| 28 | 521 11 41-01 | 1 | | |
| 29 | 502 84 29-01 | 1 | | |
| 30 | 544 27 63-01 | 1 | | |
| 31 | 520 96 86-01 | 1 | | |
| 32 | 544 27 65-01 | 1 | | |
| 33 | 544 27 66-01 | 1 | | |
| 34 | 544 27 67-01 | 1 | | |
| 35 | 544 27 68-01 | 1 | | |
| 36 | 544 27 69-01 | 1 | | |
| 37 | 544 27 70-01 | 1 | | |
| 38 | 521 51 96-01 | 1 | | |
| 39 | 544 27 72-01 | 2 | | |
| 40 | 504 55 46-01 | 1 | | |
| 41 | 544 27 74-01 | 1 | | |
| 42 | 544 27 75-01 | 1 | | |
| 43 | 544 27 76-01 | 1 | | |
| 44 | 516 87 54-01 | 4 | | |
| 45 | 521 68 06-01 | 1 | | |
| 46 | 516 89 90-01 | 1 | | |
| 47 | 521 67 24-01 | 1 | | |
| 48 | 506 61 54-01 | 1 | | |
| 49 | 506 61 53-01 | 1 | | |
| 50 | 544 27 26-01 | 1 | | |
| 51 | 504 11 79-01 | 1 | | |
| 52 | 516 87 98-01 | 1 | | |
| 53 | 520 95 35-01 | 1 | | |
| 54 | 516 26 21-01 | 1 | | |
| 55 | 521 11 56-01 | 2 | | |
| 56 | 516 17 82-01 | 1 | | |
| 57 | 574 21 74-01 | 1 | | |

D 362M18
SPRAY GROUP



| Page D 362M18 | | SPRAY GROUP | | |
|----------------------|----------------|--------------------|--------------|------------|
| Position | Article | Quantity | Notes | Kit |
| 2 | 573 94 62-01 | 1 | | |
| 3 | 529 31 22-01 | 1 | | |
| 4 | 521 12 97-01 | 1 | | |
| 5 | 520 81 34-01 | 2 | | |
| 6 | 521 13 21-01 | 1 | | |
| 7 | 521 13 20-01 | 1 | | |
| 8 | 521 84 37-01 | 2 | | |
| 9 | 521 84 39-01 | 1 | | |
| 10 | 520 81 69-01 | 1 | | |
| 11 | 516 29 07-01 | 1 | | |
| 12 | 521 84 40-01 | 1 | | |
| 13 | 521 84 38-01 | 2 | | |
| 14 | 521 84 36-01 | 1 | | |
| 16 | 516 88 53-01 | 1 | | |
| 17 | 521 84 34-01 | 1 | | |
| 18 | 573 93 29-01 | 2 | | |
| 19 | 516 89 04-01 | 2 | | |
| 20 | 516 89 05-01 | 4 | | |
| 21 | 516 88 24-01 | 2 | | |
| 22 | 516 88 25-01 | 1 | | |
| 23 | 516 88 26-01 | 1 | | |
| 24 | 516 88 28-01 | 1 | | |
| 25 | 516 89 04-01 | 2 | | |
| 26 | 573 93 36-01 | 1 | | |

E 362M18
SPRAY EQUIPMENT, TOOLS



| Page E 362M18 | | SPRAY EQUIPMENT, TOOLS | | |
|----------------------|----------------|-------------------------------|--------------|------------|
| Position | Article | Quantity | Notes | Kit |
| 1 | 521 83 96-01 | 1 | | |
| 2 | 526 34 33-01 | 1 | | |
| 3 | 526 34 34-01 | 1 | | |
| 4 | 521 14 88-01 | 1 | | |
| 5 | 521 14 90-01 | 1 | | |
| 7 | 520 82 20-01 | 1 | | |
| 9 | 520 78 43-01 | 2 | | |
| 10 | 516 29 07-01 | 3 | | |
| 11 | 520 78 44-01 | 1 | | |
| 14 | 521 13 09-01 | 1 | | |
| 16 | 521 13 11-01 | 1 | | |
| 17 | 516 13 47-01 | 1 | | |
| 18 | 521 13 12-01 | 1 | | |
| 19 | 521 13 13-01 | 1 | | |
| 20 | 521 13 14-01 | 1 | | |
| 21 | 516 10 59-01 | 1 | | |
| 22 | 521 13 15-01 | 1 | | |
| 24 | 516 89 49-01 | 1 | | |
| 25 | 520 82 79-01 | 1 | | |
| 26 | 506 61 50-01 | 1 | | |
| 27 | 521 14 91-01 | 1 | | |
| 28 | 521 14 92-01 | 1 | | |
| 29 | 521 14 93-01 | 1 | | |
| 30 | 521 14 94-01 | 1 | | |
| 31 | 520 92 19-01 | 2 | | |