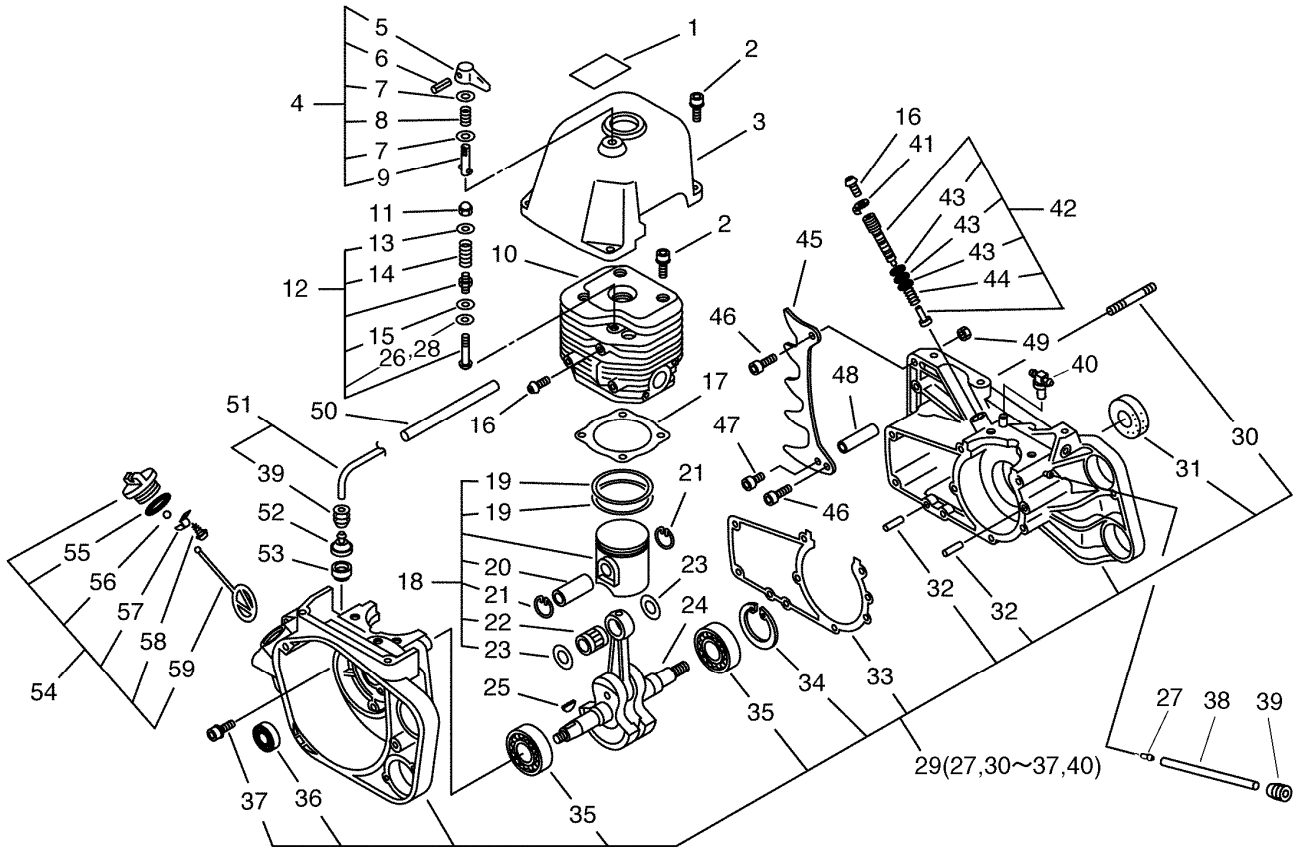




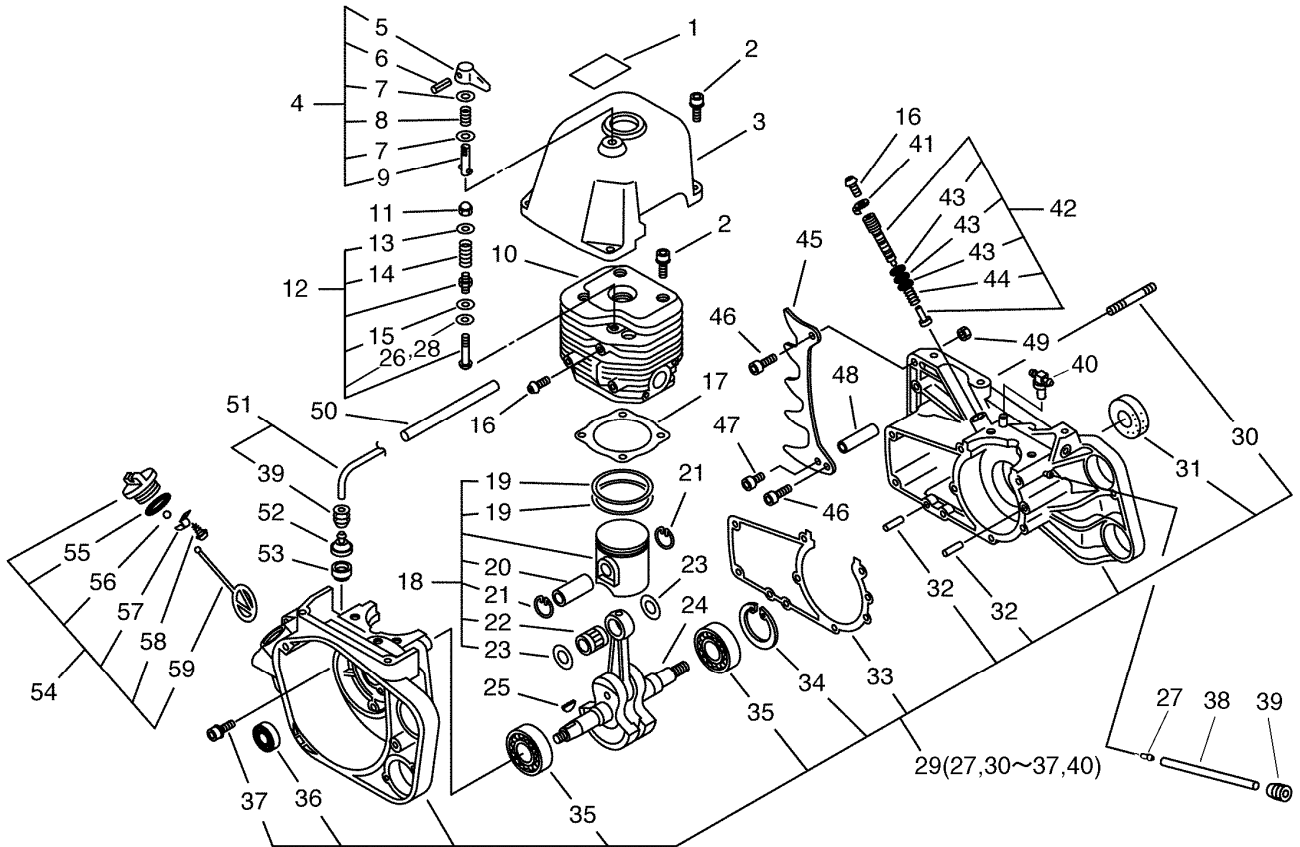
PARTS CATALOG

CHAIN SAW

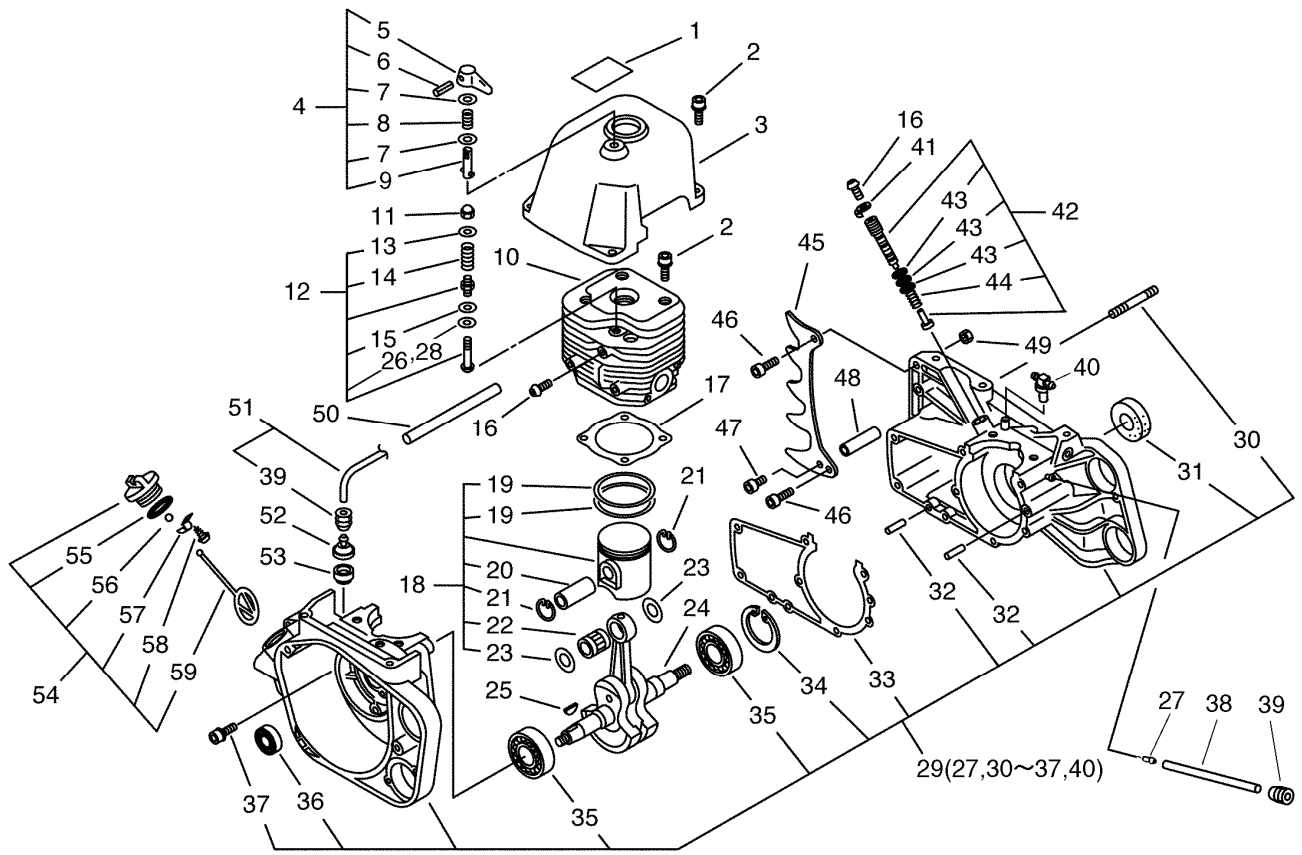
CS-1201



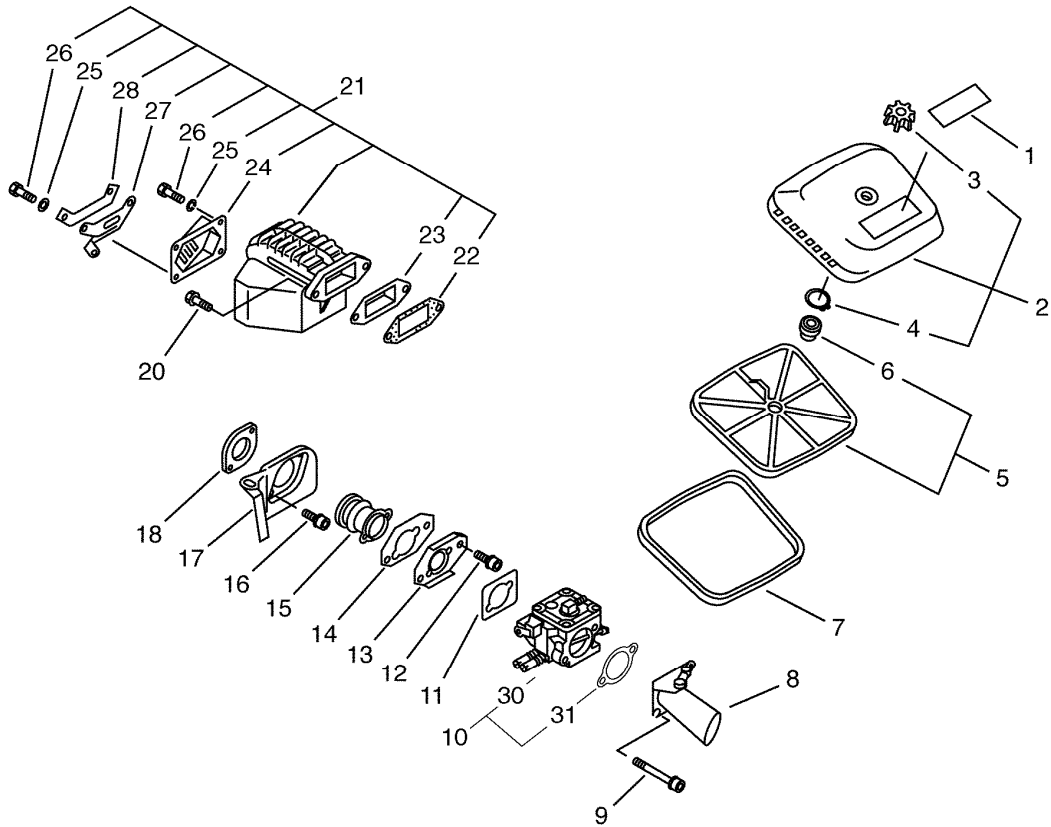
| KEY | LV | PART NUMBER | Q'TY | DESCRIPTION | REMARKS |
|-----|----|--------------|------|----------------------|---------|
| 1 | | 890149-16430 | 1 | LABEL, COMP. RELEASE | |
| 2 | | 900162-06025 | 7 | BOLT, H.S. 6*25 | |
| 3 | | 101514-16432 | 1 | COVER, CYLINDER | |
| 4 | | 179805-32930 | 1 | LEVER, COMP. RELEASE | |
| 5 | + | 179815-16432 | 1 | BUTTON, C, RELEASE | |
| 6 | + | 900345-20014 | 1 | PIN, SPRING 2*14 | |
| 7 | + | 900600-00005 | 2 | WASHER 5 | |
| 8 | + | 179812-16431 | 1 | SPRING | |
| 9 | + | 179806-16431 | 1 | SHAFT, COMP. RELEASE | |
| 10 | | 101011-60730 | 1 | CYLINDER | |
| 11 | | 400912-00910 | 1 | NUT, CAP 4 | |
| 12 | | 101100-16430 | 1 | RELEASE ASSY, COMP. | |
| 13 | + | 101114-02831 | 1 | WASHER, COMP.R.VALVE | |
| 14 | + | 101113-02830 | 1 | SPRING, COMP.R.VALVE | |
| 15 | + | 101112-12430 | 1 | GASKET, V.SEAT 2.0 | |
| 26 | + | 101112-32930 | 1 | GASKET, V.SEAT 1.0 | |
| 28 | + | 101112-02830 | 1 | GASKET, V.SEAT (1.5) | |
| 16 | | 900220-05010 | 2 | SCREW 5*10 | |
| 17 | | 101010-16431 | 1 | GASKET, CYL. BASE | |
| 18 | | 100000-60730 | 1 | PISTON KIT | |
| 19 | + | 100011-16431 | 2 | RING, PISTON | |
| 20 | + | 100013-16430 | 1 | PIN, PISTON | |
| 21 | + | 100015-16430 | 2 | CIRCLIP, PISTON PIN | |
| 22 | + | 100012-16430 | 1 | BEARING, NEEDLE | |
| 23 | + | 100014-60730 | 2 | SPACER, PISTON PIN | |
| 24 | | 100100-60731 | 1 | CRANKSHAFT | |



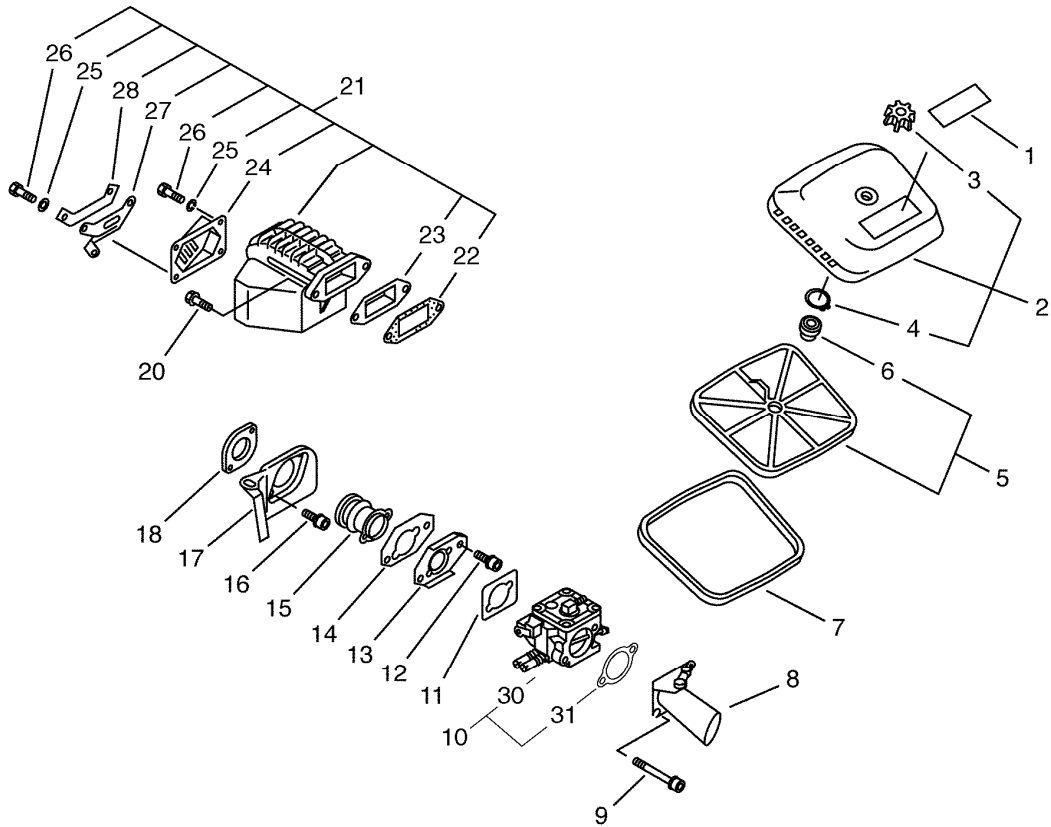
| KEY | LV | PART NUMBER | Q'TY | DESCRIPTION | REMARKS |
|-----|----|--------------|------|--------------------|---------|
| 25 | | 100142-12330 | 1 | KEY, WOODRUFF | |
| 29 | | 100204-16430 | 1 | CRANKCASE KIT | |
| 27 | + | 130113-12330 | 2 | CONNECTER | |
| 30 | + | 433011-16430 | 2 | STUD, GUIDE BAR | |
| 31 | + | 100212-16431 | 1 | OILSEAL | |
| 32 | + | 100215-02830 | 2 | PIN, DOWEL | |
| 33 | + | 100242-16430 | 1 | GASKET, CRANKCASE | |
| 34 | + | 900702-00047 | 1 | CIRCLIP 47 | |
| 35 | + | 900810-06204 | 2 | BEARING, BALL 6204 | |
| 36 | + | 100213-16430 | 1 | OILSEAL | |
| 37 | + | 900162-06030 | 8 | BOLT, H.S. 6*30 | |
| 40 | + | 437201-14730 | 1 | CONNECTOR KIT | |
| 38 | | 130110-16430 | 1 | PIPE, IMPULSE | |
| 41 | | 437059-11133 | 1 | LOCKWASHER | |
| 42 | | 437000-16430 | 1 | AUTO-OILER ASS'Y | |
| 43 | + | 437020-02830 | 3 | O-RING (S-5) | |
| 44 | + | 437019-02830 | 1 | SPRING, OILER | |
| 45 | | 880210-16431 | 1 | BUMPER, SPIKED | |
| 46 | | 900105-06020 | 2 | BOLT, H.S. 6*20 | |
| 47 | | 900162-05014 | 1 | BOLT, H.S. 5*14 | |
| 48 | | 433026-16430 | 1 | CATCHER, CHAIN | |
| 49 | | 145713-00630 | 2 | LOCKNUT 6 | |
| 50 | | 437412-16430 | 1 | TUBE, PROTECTOR | |
| 51 | | 437205-16430 | 1 | PIPE | |
| 39 | + | 132115-12330 | 1 | GROMMET | |
| 52 | | 436205-14730 | 1 | STRAINER, OIL | |



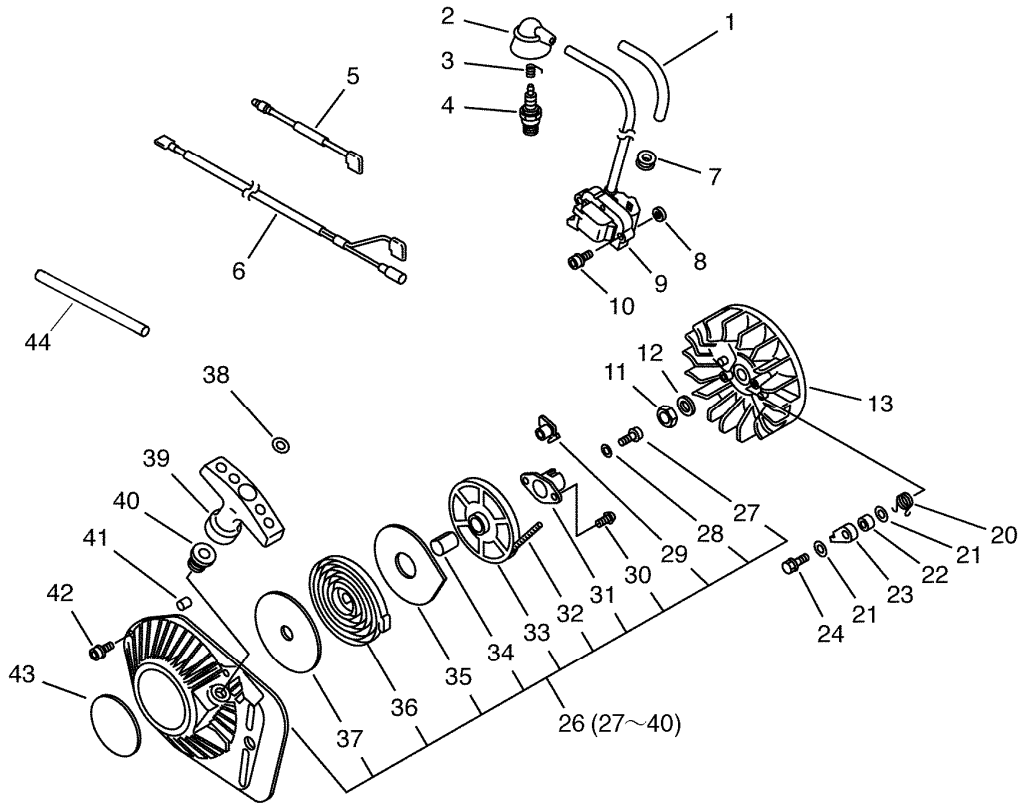
| KEY | LV | PART NUMBER | Q'TY | DESCRIPTION | REMARKS |
|-----|----|--------------|------|---------------------|---------|
| | | 53 | 1 | COVER, OIL STRAINER | |
| | | 54 | 1 | CAP ASSY, OIL TANK | |
| | + | 900720-00025 | 1 | O-RING 25 | |
| | + | 436024-02830 | 1 | VALVE, BALL | |
| | + | 131050-19830 | 1 | RETAINER, LINK | |
| | + | 900246-03008 | 1 | SCREW 3*8 | |
| | + | 131051-19830 | 1 | LINK | |



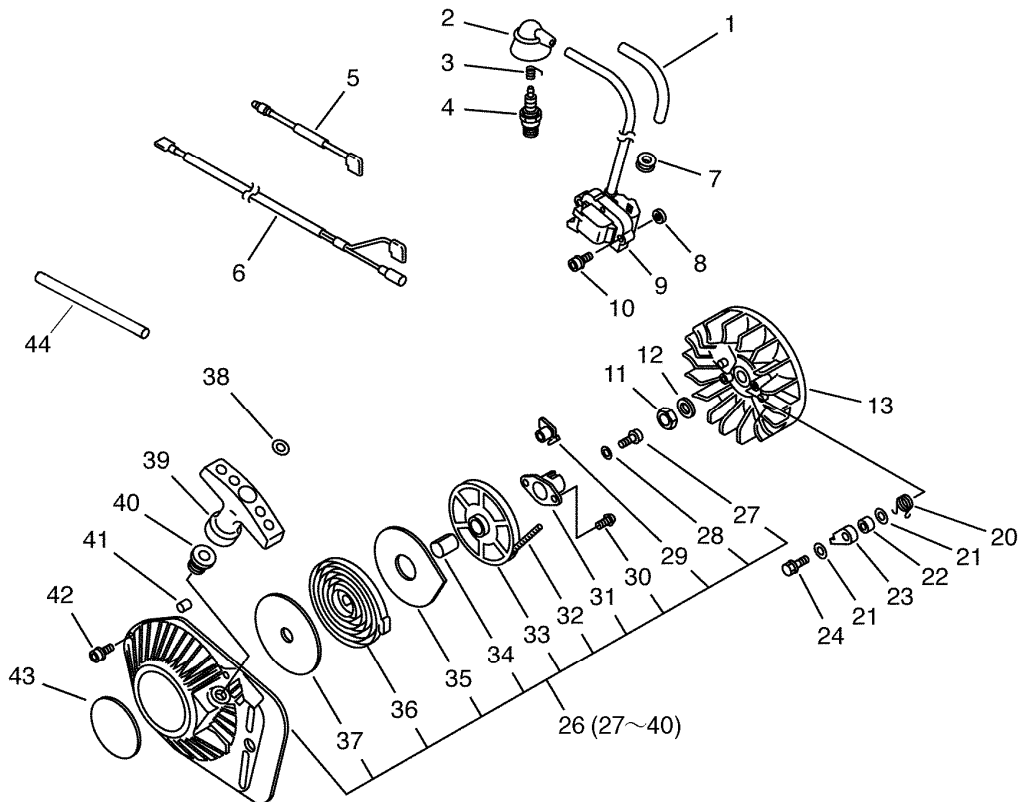
| KEY | LV | PART NUMBER | Q'TY | DESCRIPTION | REMARKS |
|-----|----|--------------|------|----------------------|---------|
| 1 | | 890151-60730 | 1 | LABEL, MODEL | |
| 2 | | 130302-16430 | 1 | COVER ASSY, AIR CLN | |
| 3 | + | 130406-00330 | 1 | NUT, THUMB | |
| 4 | + | 900701-00011 | 1 | CIRCLIP 11 | |
| 5 | | 130305-16430 | 1 | FILTER, AIR | |
| 6 | + | 130312-16430 | 1 | GASKET, AIR CLEANER | |
| 7 | | 130331-16430 | 1 | SEAL, AIR CLEANER | |
| 8 | | 130714-16430 | 1 | ADAPTER, INTAKE | |
| 9 | | 900162-05050 | 2 | BOLT, H.S. 5*50 | |
| 10 | | P021-010271 | 1 | CARBURETOR KIT | |
| 30 | + | A021-001261 | 1 | CARBURETOR,DIAPHRAGM | |
| 31 | + | V103-000330 | 1 | GASKET,INTAKE | |
| 11 | | 130037-16430 | 1 | SPACER | |
| 12 | | 900162-05014 | 2 | BOLT, H.S. 5*14 | |
| 13 | | 130013-16431 | 1 | ADAPTER, CARBURETOR | |
| 14 | | 130012-32930 | 1 | SEAL, DUST | |
| 15 | | 130510-16431 | 1 | BELLOWS, INTAKE | |
| 16 | | 900162-05020 | 2 | BOLT, H.S. 5*20 | |
| 17 | | 130011-16430 | 1 | PLATE, WIND PROOF | |
| 18 | | 130512-14731 | 1 | HOLDER | |
| 20 | | 900106-06025 | 2 | BOLT, H.S. 6*25 | |
| 21 | | 145600-16430 | 1 | MUFFLER ASSY | |
| 22 | + | 145510-16431 | 1 | GASKET, EXHAUST | |
| 23 | + | 145633-16430 | 1 | DIFFUSER, EXH. PORT | |
| 24 | + | 145818-14730 | 1 | PLATE, EXHAUST | |
| 25 | + | 178516-00830 | 4 | SPACER | |



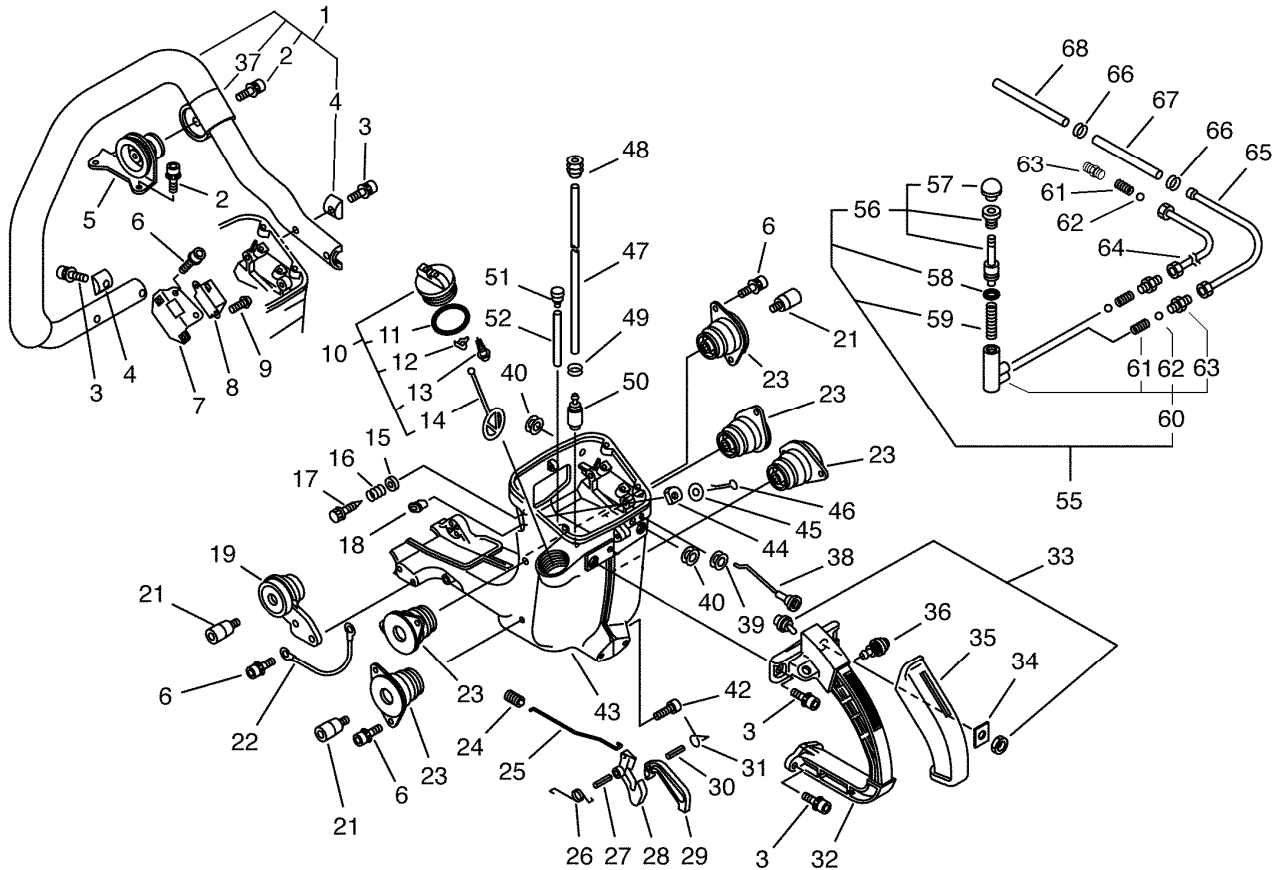
| KEY | LV | PART NUMBER | Q'TY | DESCRIPTION | REMARKS |
|-----|----|--------------|------|-------------|---------|
| 26 | + | 900150-05015 | 4 | BOLT 5*15 | |
| 27 | + | 145720-16431 | 1 | BRACKET | |
| 28 | + | 145642-16431 | 2 | WASHER | |



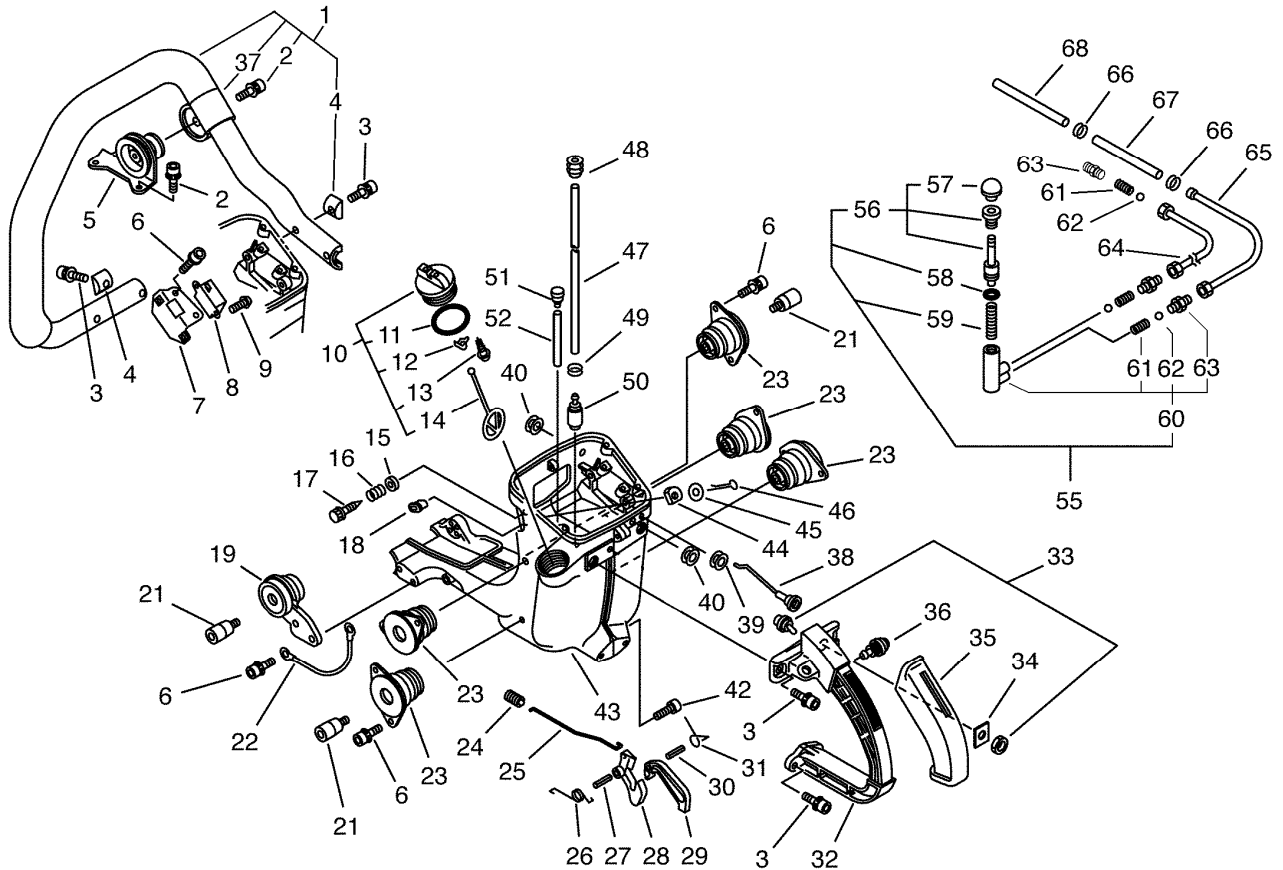
| KEY | LV | PART NUMBER | Q'TY | DESCRIPTION | REMARKS |
|-----|----|--------------|------|----------------------|---------|
| 1 | | 437412-16430 | 1 | TUBE, PROTECTOR | |
| 2 | | 159012-16430 | 1 | CAP, SPARK PLUG | |
| 3 | | 159011-03432 | 1 | COIL, SPARK PLUG | |
| 4 | | 159010-10630 | 1 | PLUG, SPARK (BPM-7A) | |
| 5 | | 162021-60730 | 1 | LEAD | |
| 6 | | 162010-60730 | 1 | LEAD, GROUND | |
| 7 | | 150112-00310 | 1 | BUSHING | |
| 8 | | 150117-16430 | 2 | SPACER | |
| 9 | | 152626-60730 | 1 | COIL, IGNITION | |
| 10 | | 900162-05025 | 2 | BOLT, H.S. 5*25 | |
| 11 | | 100144-12331 | 1 | NUT | |
| 12 | | 100146-00310 | 1 | WASHER (C-R) | |
| 13 | | 152800-60730 | 1 | ROTOR, MAGNETO | |
| 20 | | 177234-14730 | 2 | SPRING, RETURN | |
| 21 | | 900600-00006 | 4 | WASHER 6 | |
| 22 | | 177247-02830 | 2 | SPACER, RATCHET | |
| 23 | | 177218-02830 | 2 | RATCHET | |
| 24 | | 900100-06016 | 2 | BOLT 6*16 | |
| 26 | | 177200-16432 | 1 | STARTER ASY | |
| 27 | + | 900162-05014 | 1 | BOLT, H.S. 5*14 | |
| 28 | + | 300217-00610 | 1 | WASHER | |
| 29 | + | 177246-10631 | 1 | CLIP, STARTER ROPE | |
| 30 | + | 900242-04012 | 2 | SCREW 4*12 | |
| 31 | + | 177243-02833 | 1 | CATCHER, PAWL | |
| 32 | + | 177226-14730 | 1 | ROPE, STARTER | |
| 33 | + | 177215-10632 | 1 | DRUM, STARTER | |



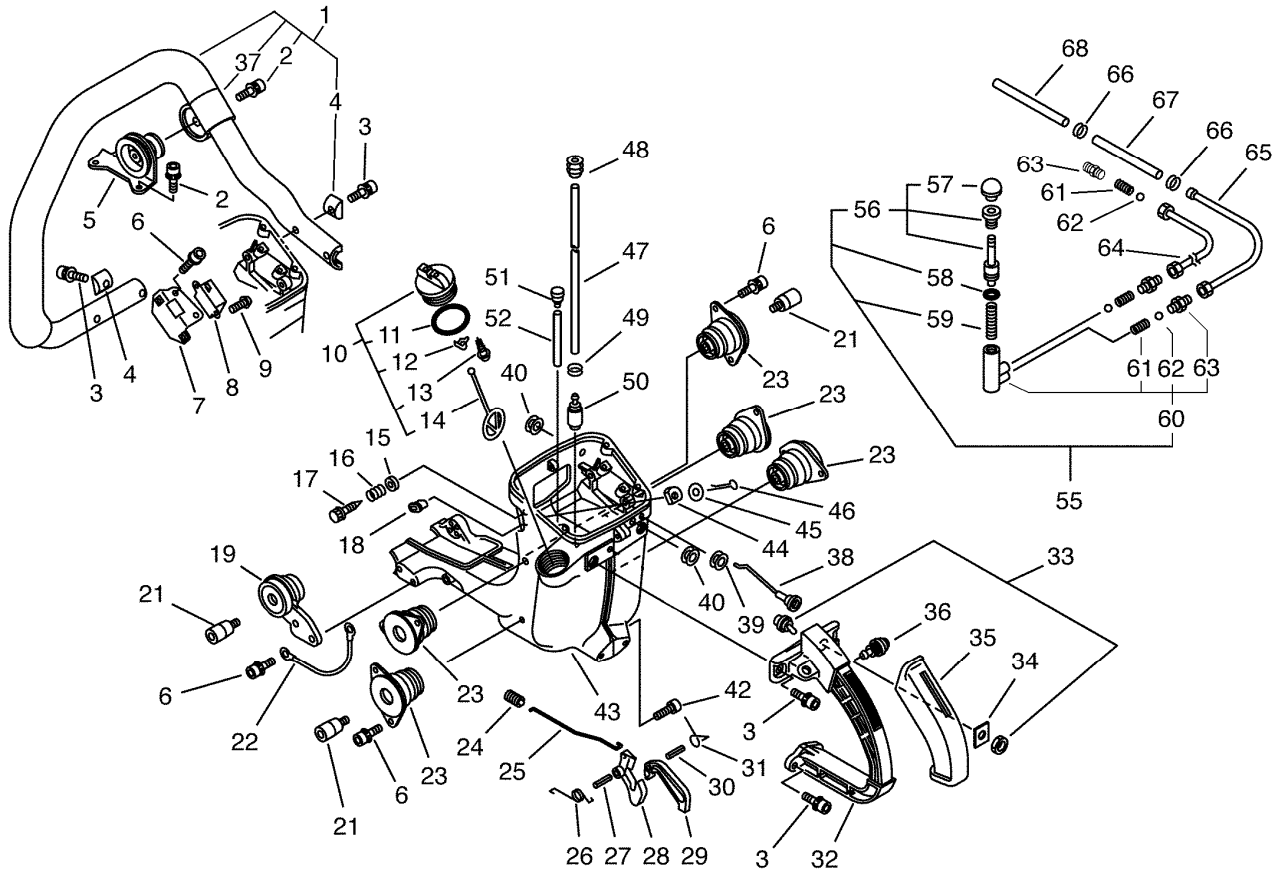
| KEY | LV | PART NUMBER | Q'TY | DESCRIPTION | REMARKS |
|-----|----|--------------|------|-------------------|---------|
| 34 | + | 177216-10630 | 1 | COLLAR | |
| 35 | + | 177242-14730 | 1 | PLATE, STARTER | |
| 36 | + | 177220-10631 | 1 | SPRING, REWIND | |
| 37 | + | 177221-10630 | 1 | PLATE, STARTER | |
| 38 | + | V323-000060 | 1 | WASHER,CIRCULAR 5 | |
| 39 | + | 177228-16430 | 1 | GRIP, STARTER | |
| 40 | + | 177227-10630 | 1 | GUIDE, ROPE | |
| 41 | | 101522-16430 | 2 | PIN, DOWEL | |
| 42 | | 900162-06025 | 3 | BOLT, H.S. 6*25 | |
| 43 | | X502-000460 | 1 | LABEL,ECHO | |
| 44 | | 150611-14730 | 1 | TUBE | |



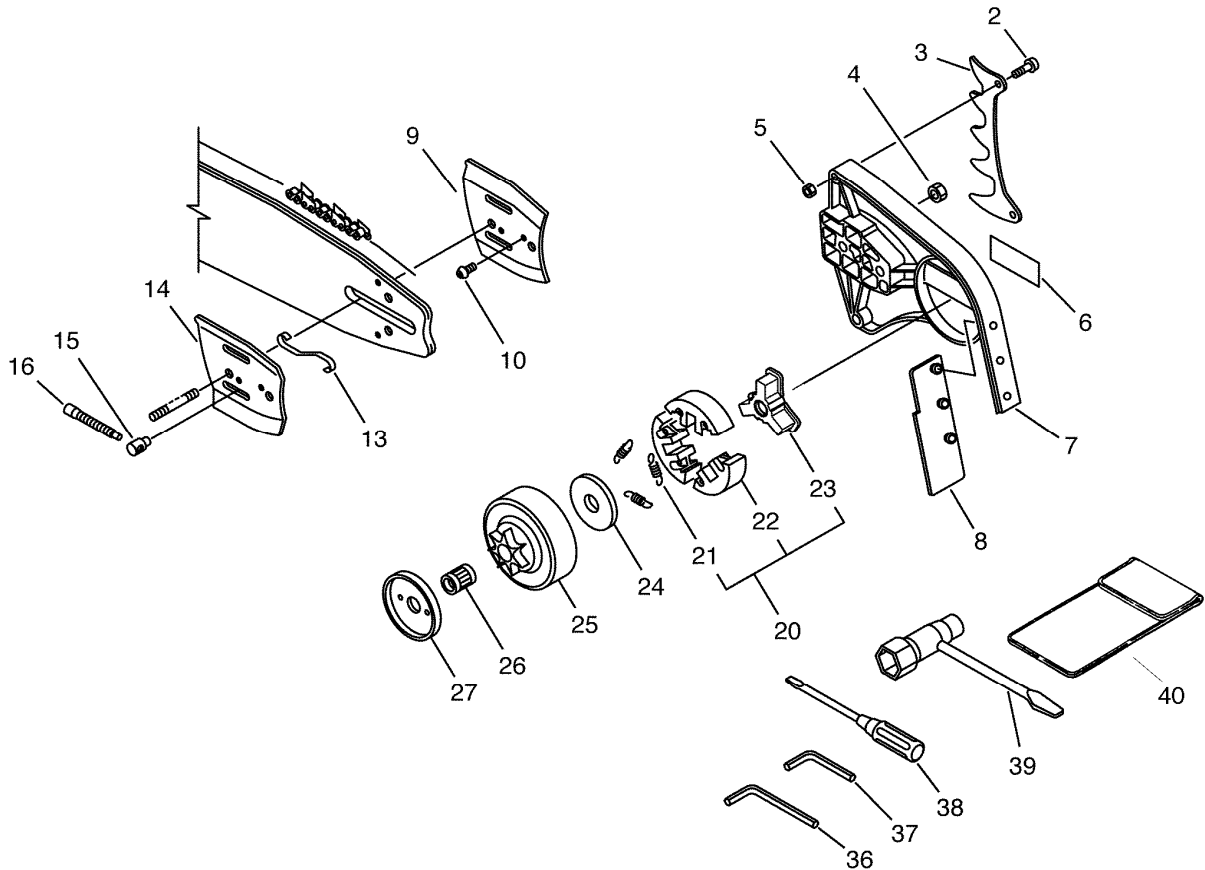
| KEY | LV | PART NUMBER | Q'TY | DESCRIPTION | REMARKS |
|-----|----|--------------|------|---------------------|---------|
| 1 | | 351604-05262 | 1 | HANDLE KIT, FRONT | |
| 37 | + | 351613-05260 | 1 | SUPPORTER, F.HANDLE | |
| 2 | + | 900162-06020 | 1 | BOLT, H.S. 6*20 | |
| 4 | + | 351611-16430 | 4 | WASHER | |
| 2 | | 900162-06020 | 3 | BOLT, H.S. 6*20 | |
| 3 | | 900162-06025 | 8 | BOLT, H.S. 6*25 | |
| 5 | | 351618-16431 | 1 | CUSHION (L-U) | |
| 6 | | 900162-05014 | 14 | BOLT, H.S. 5*14 | |
| 7 | | 152615-60730 | 1 | BRACKET, MODULE | |
| 8 | | 152605-60730 | 1 | MODULE, E.S.G. | |
| 9 | | 900242-05010 | 2 | SCREW 5*10 | |
| 10 | | 131004-60730 | 1 | CAP ASSY, FUEL TANK | |
| 11 | + | 900720-00032 | 1 | O-RING 32 | |
| 12 | + | 131050-19830 | 1 | RETAINER, LINK | |
| 13 | + | 900246-03008 | 1 | SCREW 3*8 | |
| 14 | + | 131051-19830 | 1 | LINK | |
| 15 | | 900600-00004 | 1 | WASHER 4 | |
| 16 | | 129020-14730 | 1 | SPRING | |
| 17 | | 129013-14730 | 1 | SCREW, IDLE ADJUST. | |
| 18 | | 129010-14730 | 1 | GROMMET | |
| 19 | | 100917-16430 | 1 | CUSHION | |
| 21 | | 100915-16430 | 6 | FASTENER, CUSHION | |
| 22 | | 162010-14732 | 1 | LEAD, GROUND | |
| 23 | | 100910-16431 | 5 | CUSHION | |
| 24 | | 178211-05260 | 1 | GROMMET | |
| 25 | | 178011-16430 | 1 | ROD, THROTTLE | |



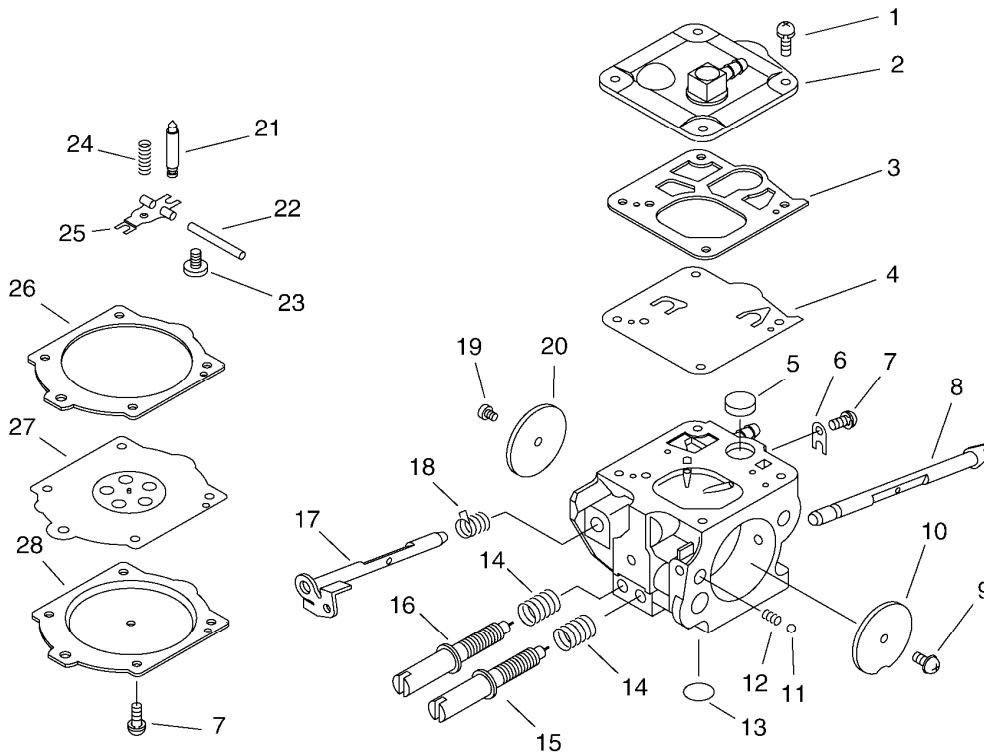
| KEY | LV | PART NUMBER | Q'TY | DESCRIPTION | REMARKS |
|-----|----|--------------|------|---------------------|---------|
| 26 | | 178043-16430 | 1 | SPRING, THR. RETURN | |
| 27 | | 900342-50025 | 1 | PIN, SPRING 5*25 | |
| 28 | | 178010-05260 | 1 | CONTROL, THROTTLE | |
| 29 | | 178090-16430 | 1 | LOOKOUT, T. CONTROL | |
| 30 | | 900342-40018 | 1 | PIN, SPRING 4*18 | |
| 31 | | 178091-16430 | 1 | SPRING | |
| 32 | | 351110-16431 | 1 | HANDLE | |
| 33 | | 163400-19831 | 1 | SWITCH, IGNITION | |
| 34 | | 890157-16430 | 1 | LABEL, SWITCH | |
| 35 | | 351111-16431 | 1 | GRIP | |
| 36 | | 178302-12330 | 1 | LATCH, THROTTLE | |
| 38 | | 178510-16430 | 1 | ROD, CHOKE CONTROL | |
| 39 | | 178810-02830 | 1 | GROMMET | |
| 40 | | 156114-06330 | 2 | BUSHING | |
| 43 | | 131002-60732 | 1 | TANK SET, FUEL | |
| 42 | + | 900105-05014 | 4 | BOLT, H.S. 5*14 | |
| 44 | | 131410-00330 | 1 | PACKING, FELT | |
| 45 | | 900600-00002 | 1 | WASHER 2 | |
| 46 | | 900300-20015 | 1 | PIN, SPLIT 2*15 | |
| 47 | | 132010-05260 | 1 | PIPE 3* 6*360 | |
| 48 | | 132115-12330 | 2 | GROMMET | |
| 49 | | 132013-26630 | 1 | CLIP | |
| 50 | | 131205-19831 | 1 | STRAINER, FUEL | |
| 51 | | 131300-16430 | 1 | VENT ASS'Y, FUEL | |
| 52 | | V471-003440 | 1 | PIPE | |
| 55 | | 437100-16430 | 1 | PUMP ASS'Y, OIL | |



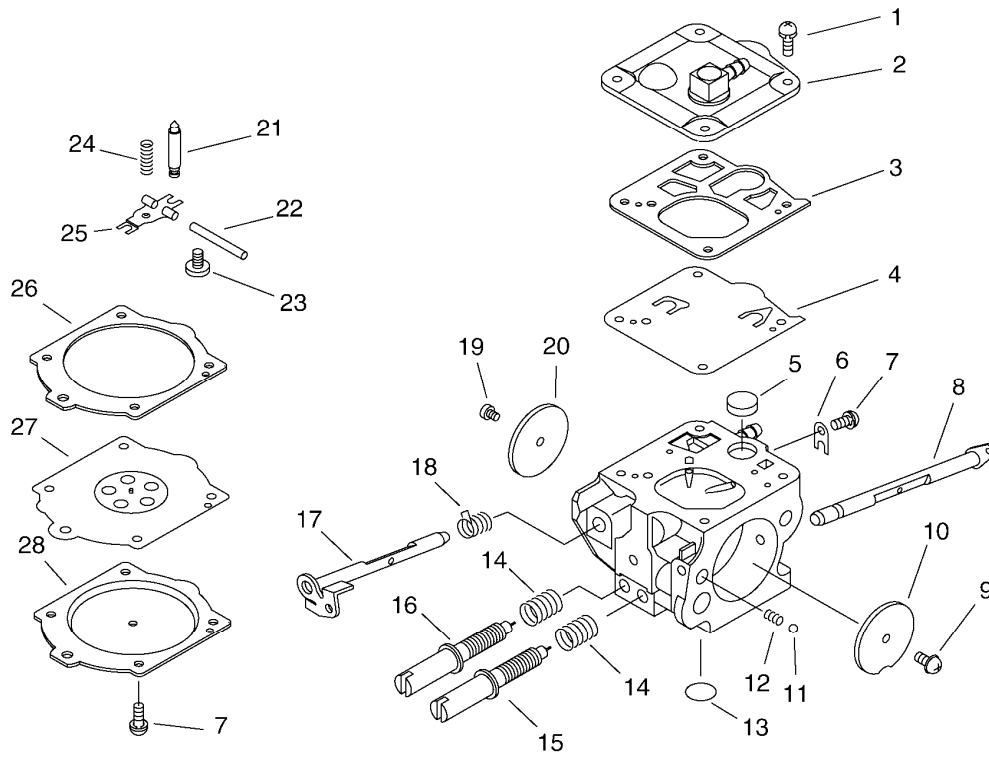
| KEY | LV | PART NUMBER | Q'TY | DESCRIPTION | REMARKS |
|-----|----|--------------|------|----------------------|---------|
| 56 | + | 437101-14730 | 1 | PISTON, OIL PUMP | |
| 57 | ++ | 437119-14731 | 1 | BUTTON, PUSH | |
| 58 | + | 900720-00006 | 1 | O-RING 6 | |
| 59 | + | 437111-00231 | 1 | SPRING, OIL PUMP | |
| 60 | + | 437102-16430 | 1 | BODY ASS'Y, OIL PUMP | |
| 61 | ++ | 437013-00330 | 3 | SPRING, VALVE | |
| 62 | ++ | 437012-00330 | 3 | VALVE, BALL | |
| 63 | ++ | 437052-00330 | 3 | CONNECTOR | |
| 64 | | 437206-16430 | 1 | PIPE | |
| 65 | | 437207-32930 | 1 | PIPE | |
| 66 | | 437221-16430 | 2 | CLIP | |
| 67 | | 437211-16431 | 1 | PIPE | |
| 68 | | 437412-16430 | 1 | TUBE, PROTECTOR | |



| KEY | LV | PART NUMBER | Q'TY | DESCRIPTION | REMARKS |
|-----|----|--------------|------|----------------------|---------|
| 2 | | 900105-06020 | 2 | BOLT, H.S. 6*20 | |
| 3 | | 880210-16431 | 1 | BUMPER, SPIKED | |
| 4 | | 433019-10630 | 2 | NUT | |
| 5 | | 145713-00630 | 2 | LOCKNUT 6 | |
| 6 | | X502-000540 | 1 | LABEL,ECHO | |
| 7 | | 433021-16430 | 1 | GUARD, SPROCKET | |
| 8 | | 433025-16430 | 1 | PAD | |
| 9 | | 433012-16430 | 1 | PLATE, GUIDE (OUTER) | |
| 10 | | 900220-03006 | 2 | SCREW 3*6 | |
| 13 | | 433035-16430 | 1 | HOLDER, PLATE | |
| 14 | | 433013-16430 | 1 | PLATE, GUIDE (INNER) | |
| 15 | | 433014-16430 | 1 | TENSIONER | |
| 16 | | 433016-16430 | 1 | SCREW, TENSIONER | |
| 20 | | A056-000170 | 1 | CLUTCH ASY | |
| 21 | + | 175018-60730 | 3 | SPRING, CLUTCH | |
| 22 | + | P021-010080 | 1 | CLUTCH SHOE SET | |
| 23 | + | 175016-60730 | 1 | HUB, CLUTCH | |
| 24 | | 175019-60130 | 1 | PLATE, CLUTCH | |
| 25 | | 175006-60730 | 1 | DRUM, CLUTCH (.404) | |
| 26 | | 175012-60730 | 1 | BEARING, NEEDLE | |
| 27 | | 175015-60730 | 1 | WASHER | |
| 36 | | X605-000070 | 1 | HEXA WRENCH 6MM | |
| 37 | | X605-000100 | 1 | TOOL,L WRENCH | |
| 38 | | 895811-00130 | 1 | DRIVER, SCREW 125 | |
| 39 | | 895410-10630 | 1 | WRENCH, W/S. DRIVER | |
| 40 | | X698-000050 | 1 | TOOL,CASE | |



| KEY | LV | PART NUMBER | Q'TY | DESCRIPTION | REMARKS |
|-----|----|--------------|------|----------------------|---------|
| | | A021-001261 | 1 | CARBURETOR,DIAPHRAGM | |
| 1 | + | 123110-10630 | 4 | SCREW, PUMP COVER | |
| 2 | + | P003-001530 | 1 | COVER, FUEL PUMP | |
| 3 | + | 123125-05260 | 1 | GASKET, FUEL PUMP | |
| 4 | + | 123112-05260 | 1 | DIAPHRAGM, FUEL PUMP | |
| 5 | + | 123126-10631 | 1 | SCREEN, INLET | |
| 6 | + | 123127-03930 | 1 | CLIP, THROTTLE SHAFT | |
| 7 | + | 123130-02960 | 5 | SCREW | |
| 8 | + | P003-001560 | 1 | SHAFT ASY,CHOKE | |
| 9 | + | 123114-38830 | 1 | SCREW | |
| 10 | + | 123132-05260 | 1 | VALVE, CHOKE | |
| 11 | + | 123136-10631 | 1 | BALL, CHOKE FRICTION | |
| 12 | + | 123135-10631 | 1 | SPRING, CHOKE FRICT. | |
| 13 | + | P003-001570 | 1 | PLUG, WELCH | |
| 14 | + | 123121-22130 | 2 | SPRING, NEEDLE | |
| 15 | + | 123120-05260 | 1 | NEEDLE, HIGH SPEED | |
| 16 | + | 123118-05260 | 1 | NEEDLE, IDLE | |
| 17 | + | P003-001540 | 1 | SHAFT ASY,THROTTLE | |
| 18 | + | P003-001550 | 1 | SPRING | |
| 19 | + | 123114-05260 | 1 | SCREW | |
| 20 | + | P003-001750 | 1 | VALVE, THROTTLE | |
| 21 | + | 123137-04260 | 1 | VALVE, INLET NEEDLE | |
| 22 | + | 123138-10630 | 1 | PIN, METERING LEVER | |
| 23 | + | 123139-03930 | 1 | SCREW, M. LEVER PIN | |
| 24 | + | 123122-10630 | 1 | SPRING, METER. LEVER | |
| 25 | + | 123123-05260 | 1 | LEVER, METERING | |



| KEY | LV | PART NUMBER | Q'TY | DESCRIPTION | REMARKS |
|-----|----|--------------|------|----------------------|---------|
| 26 | + | 123140-10630 | 1 | GASKET, M. DIAPHRAGM | |
| 27 | + | 123141-05260 | 1 | DIAPHRAGM, METERING | |
| 28 | + | 123142-10630 | 1 | COVER, M. DIAPHRAGM | |

| | | | |
|----|-------|----|----------|
| 1A | 21G63 | 2A | 27X-72E |
| 1B | 25G63 | 2B | 27X-84E |
| 1C | 30G63 | 2C | 27X-92E |
| 1D | 33G63 | 2D | 27X-100E |
| 1E | 36G63 | 2E | 27X-104E |
| 1F | 36W63 | 2F | 27X-104E |
| 1G | 42G63 | 2G | 27X-124E |

| KEY | LV | PART NUMBER | Q'TY | DESCRIPTION | REMARKS |
|-----|----|--------------|------|---------------------|---------|
| 1A | | 430327-16431 | 1 | BAR, GUIDE 21G63 | |
| 2A | | 431132-16431 | 1 | CHAIN, SAW 27X-72E | |
| 1B | | 430328-16431 | 1 | BAR, GUIDE 25G63 | |
| 2B | | 431133-16431 | 1 | CHAIN, SAW 27X-84E | |
| 1C | | 430329-16431 | 1 | BAR, GUIDE 30G63 | |
| 2C | | 431134-16431 | 1 | CHAIN, SAW 27X-92E | |
| 1D | | 430332-16431 | 1 | BAR, GUIDE 33 G 63 | |
| 2D | | 431136-16432 | 1 | CHAIN, SAW 27X-100E | |
| 1E | | 430330-16430 | 1 | BAR, GUIDE 36G-63 | |
| 2E | | 431135-16432 | 1 | CHAIN, SAW 27X-104E | |
| 1F | | X114-000000 | 1 | BAR,GUIDE 36W63 | |
| 2F | | 431135-16432 | 1 | CHAIN, SAW 27X-104E | |
| 1G | | X117-000000 | 1 | BAR,GUIDE 105 | |
| 2G | | 431137-16431 | 1 | CHAIN, SAW 27X-124E | |

Index

| Patrs Number | Key No. | Patrs Number | Key No. | Patrs Number | Key No. |
|---------------------|----------------|---------------------|----------------|---------------------|----------------|
| 890149-16430 | 1 - 1 | 437205-16430 | 1 - 51 | 100144-12331 | 3 - 11 |
| 900162-06025 | 1 - 2 | 132115-12330 | 1 - 39 | 100146-00310 | 3 - 12 |
| 101514-16432 | 1 - 3 | 436205-14730 | 1 - 52 | 152800-60730 | 3 - 13 |
| 179805-32930 | 1 - 4 | 436212-16431 | 1 - 53 | 177234-14730 | 3 - 20 |
| 179815-16432 | 1 - 5 | 436001-60730 | 1 - 54 | 900600-00006 | 3 - 21 |
| 900345-20014 | 1 - 6 | 900720-00025 | 1 - 55 | 177247-02830 | 3 - 22 |
| 900600-00005 | 1 - 7 | 436024-02830 | 1 - 56 | 177218-02830 | 3 - 23 |
| 179812-16431 | 1 - 8 | 131050-19830 | 1 - 57 | 900100-06016 | 3 - 24 |
| 179806-16431 | 1 - 9 | 900246-03008 | 1 - 58 | 177200-16432 | 3 - 26 |
| 101011-60730 | 1 - 10 | 131051-19830 | 1 - 59 | 900162-05014 | 3 - 27 |
| 400912-00910 | 1 - 11 | 890151-60730 | 2 - 1 | 300217-00610 | 3 - 28 |
| 101100-16430 | 1 - 12 | 130302-16430 | 2 - 2 | 177246-10631 | 3 - 29 |
| 101114-02831 | 1 - 13 | 130406-00330 | 2 - 3 | 900242-04012 | 3 - 30 |
| 101113-02830 | 1 - 14 | 900701-00011 | 2 - 4 | 177243-02833 | 3 - 31 |
| 101112-12430 | 1 - 15 | 130305-16430 | 2 - 5 | 177226-14730 | 3 - 32 |
| 101112-32930 | 1 - 26 | 130312-16430 | 2 - 6 | 177215-10632 | 3 - 33 |
| 101112-02830 | 1 - 28 | 130331-16430 | 2 - 7 | 177216-10630 | 3 - 34 |
| 900220-05010 | 1 - 16 | 130714-16430 | 2 - 8 | 177242-14730 | 3 - 35 |
| 101010-16431 | 1 - 17 | 900162-05050 | 2 - 9 | 177220-10631 | 3 - 36 |
| 100000-60730 | 1 - 18 | P021-010271 | 2 - 10 | 177221-10630 | 3 - 37 |
| 100011-16431 | 1 - 19 | A021-001261 | 2 - 30 | V323-000060 | 3 - 38 |
| 100013-16430 | 1 - 20 | V103-000330 | 2 - 31 | 177228-16430 | 3 - 39 |
| 100015-16430 | 1 - 21 | 130037-16430 | 2 - 11 | 177227-10630 | 3 - 40 |
| 100012-16430 | 1 - 22 | 900162-05014 | 2 - 12 | 101522-16430 | 3 - 41 |
| 100014-60730 | 1 - 23 | 130013-16431 | 2 - 13 | 900162-06025 | 3 - 42 |
| 100100-60731 | 1 - 24 | 130012-32930 | 2 - 14 | X502-000460 | 3 - 43 |
| 100142-12330 | 1 - 25 | 130510-16431 | 2 - 15 | 150611-14730 | 3 - 44 |
| 100204-16430 | 1 - 29 | 900162-05020 | 2 - 16 | 351604-05262 | 4 - 1 |
| 130113-12330 | 1 - 27 | 130011-16430 | 2 - 17 | 351613-05260 | 4 - 37 |
| 433011-16430 | 1 - 30 | 130512-14731 | 2 - 18 | 900162-06020 | 4 - 2 |
| 100212-16431 | 1 - 31 | 900106-06025 | 2 - 20 | 351611-16430 | 4 - 4 |
| 100215-02830 | 1 - 32 | 145600-16430 | 2 - 21 | 900162-06020 | 4 - 2 |
| 100242-16430 | 1 - 33 | 145510-16431 | 2 - 22 | 900162-06025 | 4 - 3 |
| 900702-00047 | 1 - 34 | 145633-16430 | 2 - 23 | 351618-16431 | 4 - 5 |
| 900810-06204 | 1 - 35 | 145818-14730 | 2 - 24 | 900162-05014 | 4 - 6 |
| 100213-16430 | 1 - 36 | 178516-00830 | 2 - 25 | 152615-60730 | 4 - 7 |
| 900162-06030 | 1 - 37 | 900150-05015 | 2 - 26 | 152605-60730 | 4 - 8 |
| 437201-14730 | 1 - 40 | 145720-16431 | 2 - 27 | 900242-05010 | 4 - 9 |
| 130110-16430 | 1 - 38 | 145642-16431 | 2 - 28 | 131004-60730 | 4 - 10 |
| 437059-11133 | 1 - 41 | 437412-16430 | 3 - 1 | 900720-00032 | 4 - 11 |
| 437000-16430 | 1 - 42 | 159012-16430 | 3 - 2 | 131050-19830 | 4 - 12 |
| 437020-02830 | 1 - 43 | 159011-03432 | 3 - 3 | 900246-03008 | 4 - 13 |
| 437019-02830 | 1 - 44 | 159010-10630 | 3 - 4 | 131051-19830 | 4 - 14 |
| 880210-16431 | 1 - 45 | 162021-60730 | 3 - 5 | 900600-00004 | 4 - 15 |
| 900105-06020 | 1 - 46 | 162010-60730 | 3 - 6 | 129020-14730 | 4 - 16 |
| 900162-05014 | 1 - 47 | 150112-00310 | 3 - 7 | 129013-14730 | 4 - 17 |
| 433026-16430 | 1 - 48 | 150117-16430 | 3 - 8 | 129010-14730 | 4 - 18 |
| 145713-00630 | 1 - 49 | 152626-60730 | 3 - 9 | 100917-16430 | 4 - 19 |
| 437412-16430 | 1 - 50 | 900162-05025 | 3 - 10 | 100915-16430 | 4 - 21 |

Index

| Patrs Number | Key No. | Patrs Number | Key No. | Patrs Number | Key No. |
|---------------------|----------------|---------------------|----------------|---------------------|----------------|
| 162010-14732 | 4 - 22 | 433025-16430 | 5 - 8 | 430327-16431 | 7 - 1A |
| 100910-16431 | 4 - 23 | 433012-16430 | 5 - 9 | 431132-16431 | 7 - 2A |
| 178211-05260 | 4 - 24 | 900220-03006 | 5 - 10 | 430328-16431 | 7 - 1B |
| 178011-16430 | 4 - 25 | 433035-16430 | 5 - 13 | 431133-16431 | 7 - 2B |
| 178043-16430 | 4 - 26 | 433013-16430 | 5 - 14 | 430329-16431 | 7 - 1C |
| 900342-50025 | 4 - 27 | 433014-16430 | 5 - 15 | 431134-16431 | 7 - 2C |
| 178010-05260 | 4 - 28 | 433016-16430 | 5 - 16 | 430332-16431 | 7 - 1D |
| 178090-16430 | 4 - 29 | A056-000170 | 5 - 20 | 431136-16432 | 7 - 2D |
| 900342-40018 | 4 - 30 | 175018-60730 | 5 - 21 | 430330-16430 | 7 - 1E |
| 178091-16430 | 4 - 31 | P021-010080 | 5 - 22 | 431135-16432 | 7 - 2E |
| 351110-16431 | 4 - 32 | 175016-60730 | 5 - 23 | X114-000000 | 7 - 1F |
| 163400-19831 | 4 - 33 | 175019-60130 | 5 - 24 | 431135-16432 | 7 - 2F |
| 890157-16430 | 4 - 34 | 175006-60730 | 5 - 25 | X117-000000 | 7 - 1G |
| 351111-16431 | 4 - 35 | 175012-60730 | 5 - 26 | 431137-16431 | 7 - 2G |
| 178302-12330 | 4 - 36 | 175015-60730 | 5 - 27 | | |
| 178510-16430 | 4 - 38 | X605-000070 | 5 - 36 | | |
| 178810-02830 | 4 - 39 | X605-000100 | 5 - 37 | | |
| 156114-06330 | 4 - 40 | 895811-00130 | 5 - 38 | | |
| 131002-60732 | 4 - 43 | 895410-10630 | 5 - 39 | | |
| 900105-05014 | 4 - 42 | X698-000050 | 5 - 40 | | |
| 131410-00330 | 4 - 44 | A021-001261 | 6 - | | |
| 900600-00002 | 4 - 45 | 123110-10630 | 6 - 1 | | |
| 900300-20015 | 4 - 46 | P003-001530 | 6 - 2 | | |
| 132010-05260 | 4 - 47 | 123125-05260 | 6 - 3 | | |
| 132115-12330 | 4 - 48 | 123112-05260 | 6 - 4 | | |
| 132013-26630 | 4 - 49 | 123126-10631 | 6 - 5 | | |
| 131205-19831 | 4 - 50 | 123127-03930 | 6 - 6 | | |
| 131300-16430 | 4 - 51 | 123130-02960 | 6 - 7 | | |
| V471-003440 | 4 - 52 | P003-001560 | 6 - 8 | | |
| 437100-16430 | 4 - 55 | 123114-38830 | 6 - 9 | | |
| 437101-14730 | 4 - 56 | 123132-05260 | 6 - 10 | | |
| 437119-14731 | 4 - 57 | 123136-10631 | 6 - 11 | | |
| 900720-00006 | 4 - 58 | 123135-10631 | 6 - 12 | | |
| 437111-00231 | 4 - 59 | P003-001570 | 6 - 13 | | |
| 437102-16430 | 4 - 60 | 123121-22130 | 6 - 14 | | |
| 437013-00330 | 4 - 61 | 123120-05260 | 6 - 15 | | |
| 437012-00330 | 4 - 62 | 123118-05260 | 6 - 16 | | |
| 437052-00330 | 4 - 63 | P003-001540 | 6 - 17 | | |
| 437206-16430 | 4 - 64 | P003-001550 | 6 - 18 | | |
| 437207-32930 | 4 - 65 | 123114-05260 | 6 - 19 | | |
| 437221-16430 | 4 - 66 | P003-001750 | 6 - 20 | | |
| 437211-16431 | 4 - 67 | 123137-04260 | 6 - 21 | | |
| 437412-16430 | 4 - 68 | 123138-10630 | 6 - 22 | | |
| 900105-06020 | 5 - 2 | 123139-03930 | 6 - 23 | | |
| 880210-16431 | 5 - 3 | 123122-10630 | 6 - 24 | | |
| 433019-10630 | 5 - 4 | 123123-05260 | 6 - 25 | | |
| 145713-00630 | 5 - 5 | 123140-10630 | 6 - 26 | | |
| X502-000540 | 5 - 6 | 123141-05260 | 6 - 27 | | |
| 433021-16430 | 5 - 7 | 123142-10630 | 6 - 28 | | |

YAMABIKO CORPORATION

7-2 SUEHIROCHO 1-CHOME, OHME, TOKYO 198-8760, JAPAN
PHONE: 81-428-32-6118. FAX: 81-428-32-6145.

